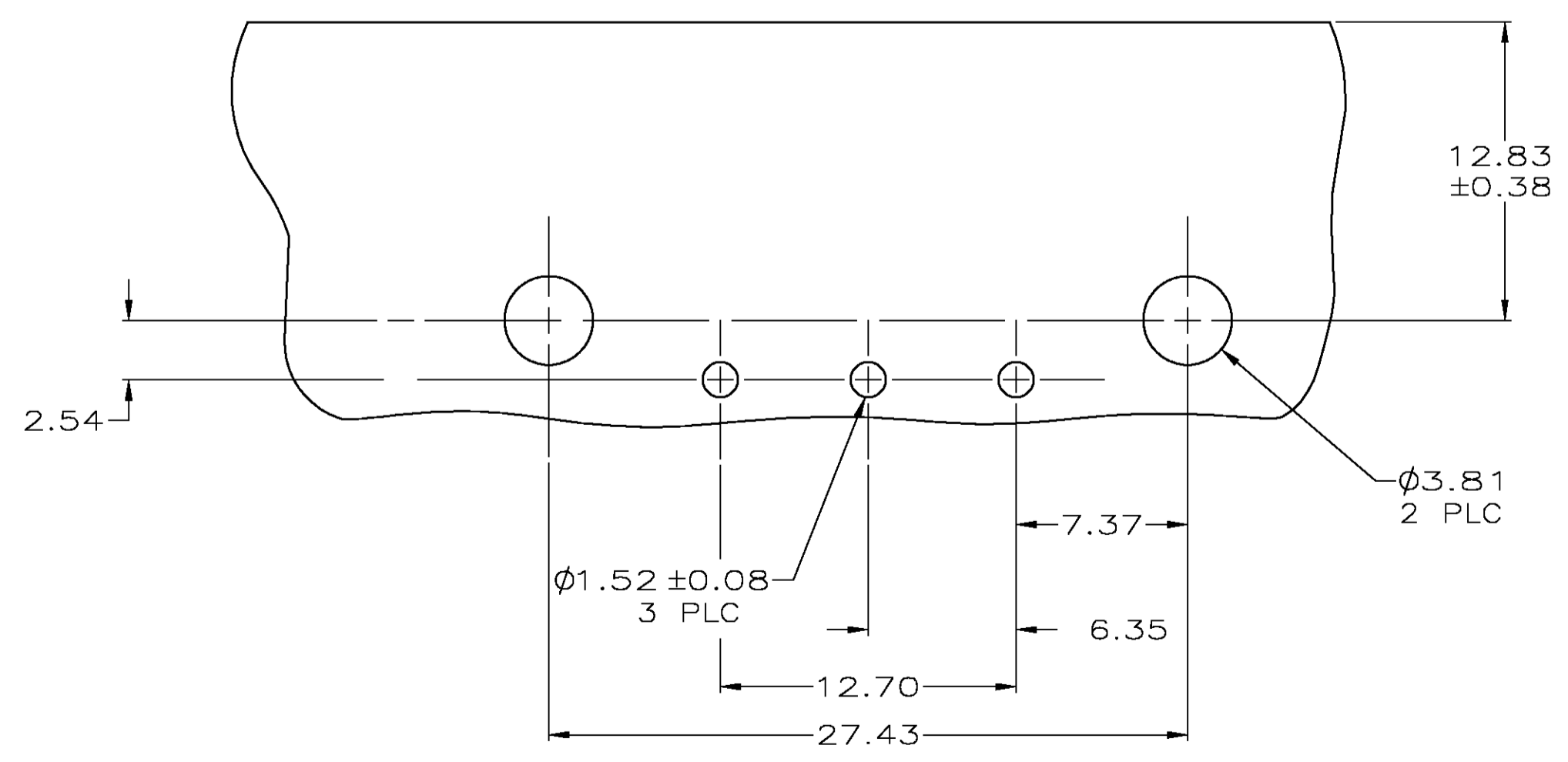
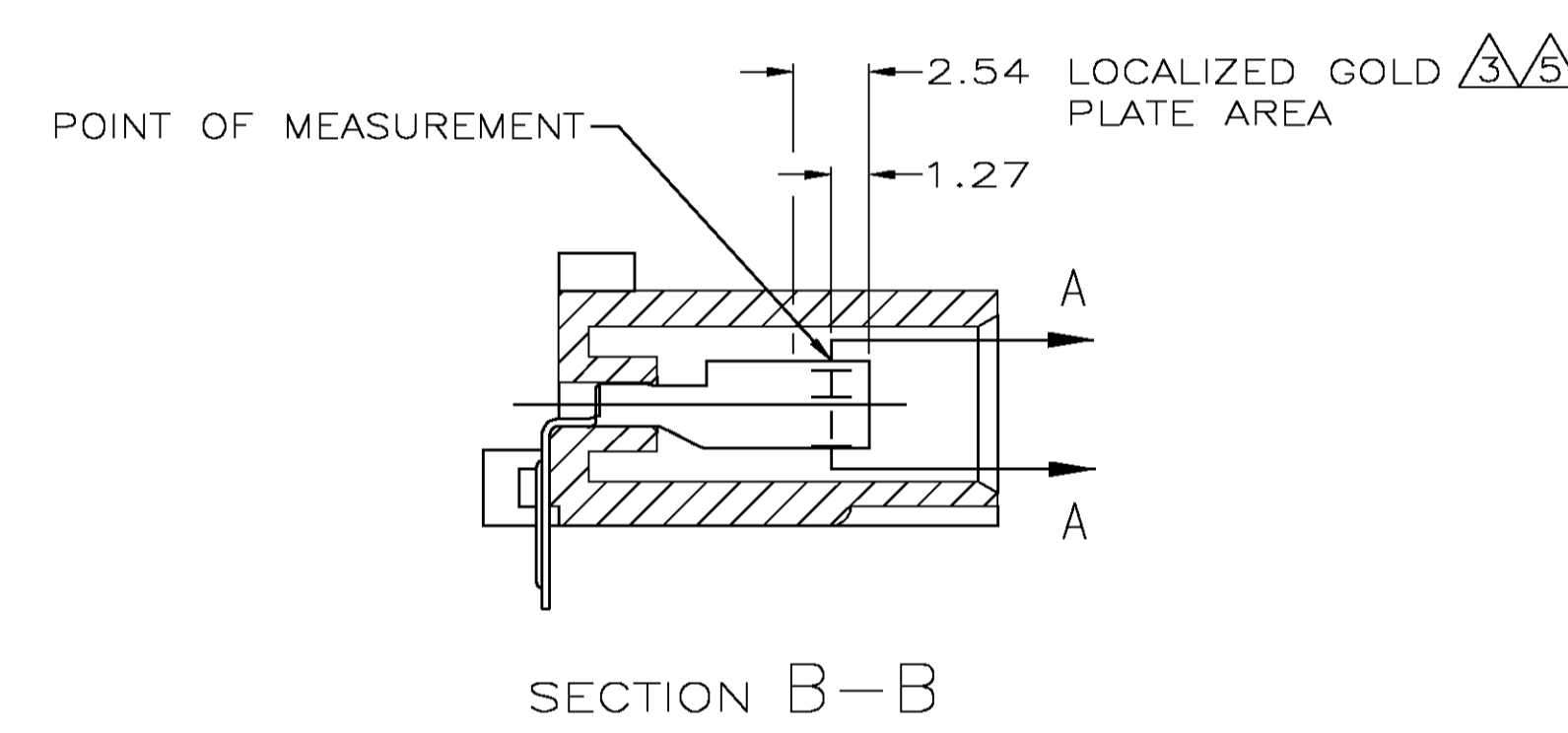
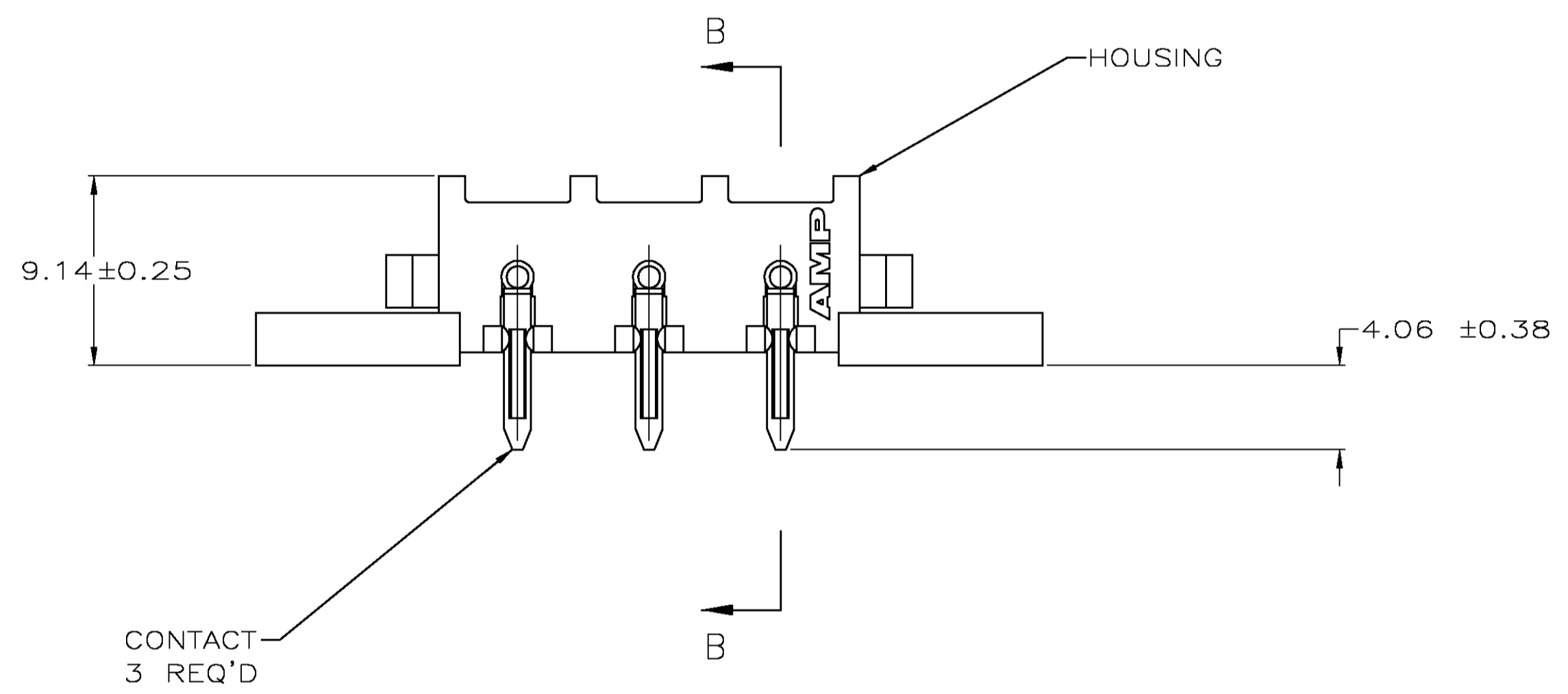
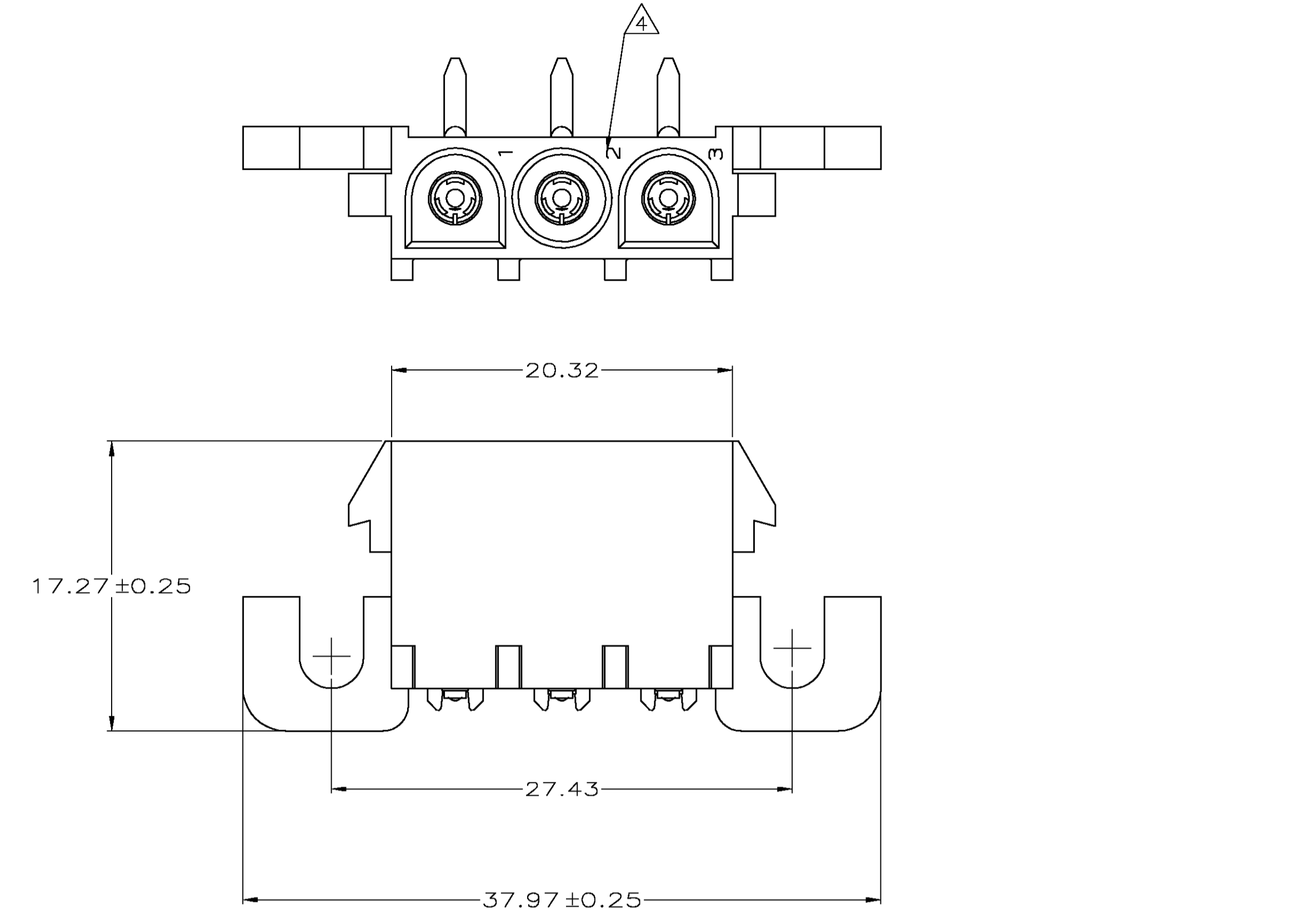


LOC		DIST		REVISIONS				
P	LR	DATE	BY	APPROV	REV	PER	EC	
D		21APR05	KW	SR	1	REV	PER	EC
OG1B-1094-04								



RECOMMENDED MOUNTING HOLE PATTERN FOR 1.57 THICK P.C. BOARD

- PARTS COMPLY WITH AMP SOLDERABILITY SPECIFICATION 109-11-5.
- 0.00076 GOLD OVER 0.00127 MIN NICKEL WITH MATTE TIN LEAD ON SOLDER TAIL.
- CIRCUIT IDENTIFICATION CHARACTERS ARE ADJACENT TO THE INDICATED CAVITIES, BUT LOCATION AND ORIENTATION MAY DIFFER FROM PRINT.
- 0.00076 GOLD OVER 0.00127 MIN NICKEL WITH MATTE TIN ON SOLDER TAIL.

MM	IN	MM	IN
2.54	.100		
2.03	.080	37.97	1.495
1.91	.075	27.43	1.080
1.57	.062	20.32	.800
1.52	.060	17.27	.680
1.27	.050	12.83	.505
0.38	.015	12.70	.500
0.25	.010	9.14	.360
0.13	.005	7.37	.290
0.08	.003	6.35	.250
0.00127	.000050	4.06	.160
0.00076	.000030	3.81	.150
MM	IN	MM	IN

PH BRZ, Δ	NYLON UL 94V-0	3-643228-0
PH BRZ, Δ	NYLON UL 94V-0	643228-2
PH BRZ, TIN	NYLON UL 94V-0	643228-1
CONTACT	HOUSING	PART NUMBER

THIS DRAWING IS A CONTROLLED DOCUMENT.

DIMENSIONS: mm	TOLERANCES UNLESS OTHERWISE SPECIFIED:	DWG: K. WHITAKER 21APR2005	CHK: S. RIDGILL 21APR2005	APPROV: S. RIDGILL 21APR2005	NAME: S. RIDGILL	TYCO Electronics	Tyco Electronics Corporation Harrisburg, Pa 17105-3608
MATERIAL: SEE TABLE	FINISH: SEE TABLE	WEIGHT: -	SIZE: A1	CODE: 00779	DRAWING NO: C=643228	RESTRICTED TO: -	CUSTOMER DRAWING

SCALE: 4:1 SHEET 1 OF 1 REV D

